

Namur Type 3/2 - 5/2 Convertible Solenoid Valves

Standard Namur Type 3/2 - 5/2 Single Coil Solenoid Valves

Convertible Solenoid Valves type general purpose 3/2 way and 5/2 way solenoid valves with namur interface configuration are interchangeable for use on either double and single acting pneumatic actuators.

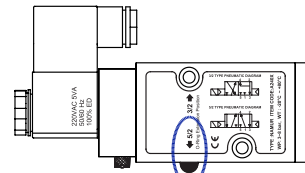
- Direct mounting on NAMUR interface actuators
- Easy convertible between 3/2 and 5/2 way (DA or SR) by replacing the o-ring position
- Lockable manual operator
- Standard IP65 enclosure single coil (spring return)



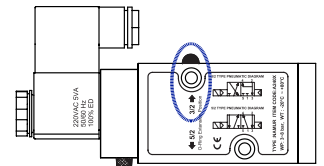
Namur Type Single Coil Solenoid Valve

Technical Specifications

Item Code	A240-E	A240-B	A240-A	A240-C	A240-D
Power Supply	12 VDC	24 VDC	24 VAC	110 VAC	220 VAC
Power Consumpt.	3W	3W	5VA	5VA	5VA
Air Supply	G 1/4"				
Working Pressure	3 - 8 bar				
Protection Class	IP65				
Working Temp.	-20 °C ~ + 80 °C				
Flow Capacity	720 Lt/min.				



5/2 Way Function Solenoid Valve

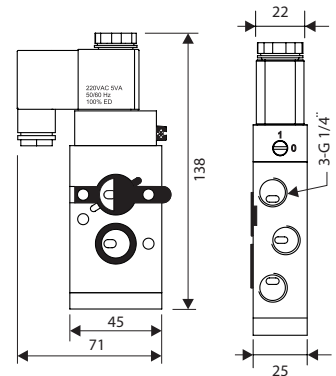
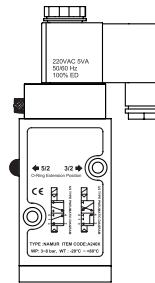


3/2 Way Function Solenoid Valve

Spare Parts for Solenoid Valves	
Model	Description
A240PB	9mm Coil, IP65
A240PBX	9mm Coil, Exproof
A240SP	Standard Socket
A240SPL	Socket with LED

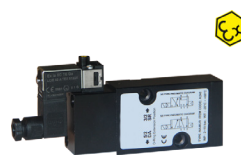
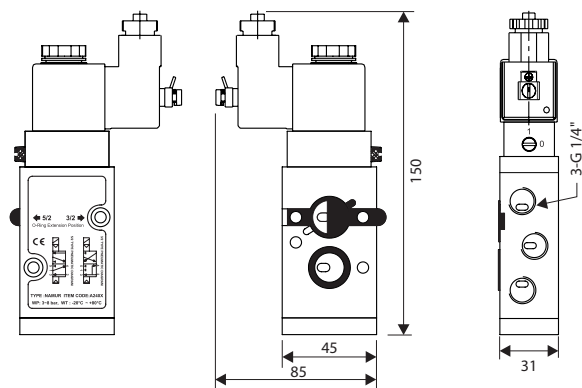


Socket with coil



Hazardous Area Namur Type 3/2 - 5/2 Convertible Solenoid Valves

Available in hazardous area NAMUR type 3/2 and 5/2 way solenoid valves with namur interface configuration are interchangeable for use on either double acting and single acting pneumatic actuators in potentially explosive environments.



Intrinsically Safe Coil Solenoid Valve
Ex ia IIC T6



Flameproof Coil Solenoid Valve
Ex db mb IIC T5

Technical Specifications

Item Code	A240CX-BIA	A240X-BIA	A240X-BM	A240X-CM	A240X-DM	A240X-BDM	A240X-CDM	A240X-DDM
Power Supply	24 VDC	24 VDC	24 VDC	110 VAC	220 VAC	24 VDC	110 VAC	220 VAC
ATEX Certificate	Ex ia IIC T6 Ga	Ex ia IIB T6 Ga	Ex II 2G Ex mb IIC T5 Gb Ex II 2D Ex tb IIIC T95			Ex II 2G Ex db mb IIC T4/T5 Gb Ex II 2D Ex tb IIIC T130/T95 °C IP66 Db		
ATEX Group	Grup II	Grup II	Grup II			Grup II		
Category	2 G/D	2 G/D	2 G/D			2 G/D		
Zone	Zone 1,2 / 21,22	Zone 1,2 / 21,22	Zone 1,2 / 21,22			Zone 1,2 / 21,22		
Explosion Gr.	IIC	IIC	IIC			IIC		
Heat Class	T6	T6	T5			T5		
Air Supply	G 1/4"							
Working Pres.	2 - 8 bar							
Flow Capacity	720 Lt/min							

